



Globe Valve – JIS F7301

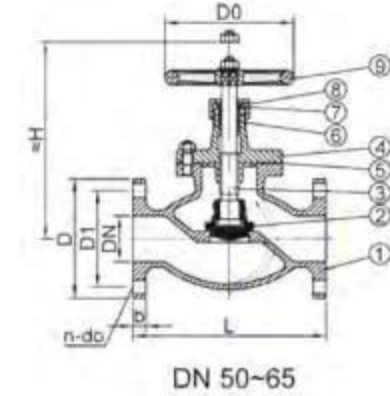
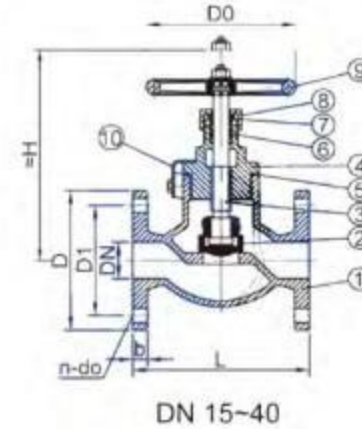
Application: Start/stop and throttling of: Sea water, water, oils, etc.

N.C. GAVRIELATOS S.A.



Specification	
Design Std	
Flange Std	JIS B2220
Test Std	JIS F7400
Nominal Pressure	5K
Application Temperature	≤ 205°C
Pressure Rating	1.05 MPa

No.	Part Name	Material
1	Body	Bronze
2	Disc	Bronze
3	Stem	Brass
4	Bonnet	Bronze
5	Gasket	Graphite/Aramid fiber
6	Packing	Graphite/PTFE
7	Gland	Brass
8	Nut	Brass
9	Hand wheel	Cast Iron
10	Lock Plate	Brass



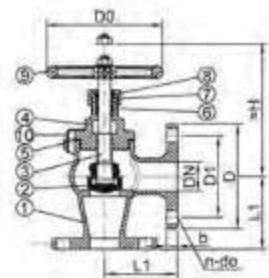
PN	DN	L	≈H	D	D1	b	n	d0	D0
5K	15	100	130	80	60	9	4	12	80
	20	110	140	85	65	10	4	12	100
	25	120	160	95	75	10	4	12	125
	32	140	170	115	90	12	4	15	125
	40	160	190	120	95	12	4	15	140
	50	210	235	130	105	14	4	15	140
	65	250	260	155	130	14	4	15	160



Globe Valve – JIS F7302

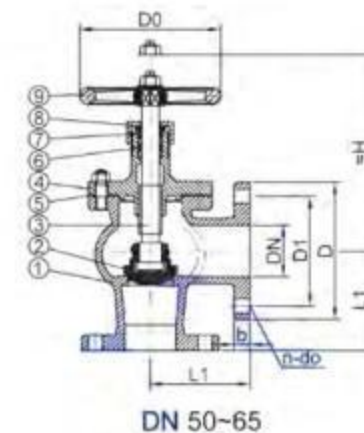
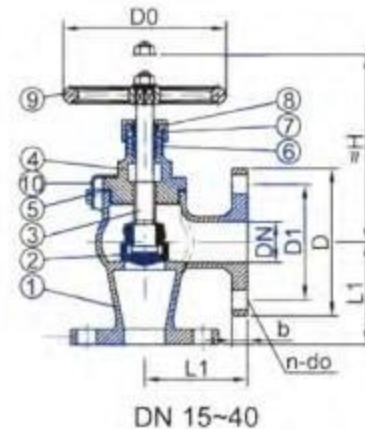
Application: Start/stop and throttling of: Sea water, water, oils, etc.

N.C. GAVRIELATOS S.A.



Specification	
Design Std	
Flange Std	JIS B2220
Test Std	JIS F7400
Nominal Pressure	5K
Application Temperature	≤ 205°C
Pressure Rating	1.05 MPa

No.	Part Name	Material
1	Body	Bronze
2	Disc	Bronze
3	Stem	Brass
4	Bonnet	Bronze
5	Gasket	Graphite/Aramid fiber
6	Packing	Graphite/PTFE
7	Gland	Brass
8	Nut	Brass
9	Hand wheel	Cast Iron
10	Lock Plate	Brass



PN	DN	L1	≈H	D	D1	b	n	d0	D0
5K	15	55	120	80	60	9	4	12	80
	20	60	130	85	65	10	4	12	100
	25	65	145	95	75	10	4	12	125
	32	80	150	115	90	12	4	15	125
	40	85	165	120	95	12	4	15	140
	50	100	200	130	105	14	4	15	140
	65	115	220	155	130	14	4	15	160



Globe Valve – JIS F7303

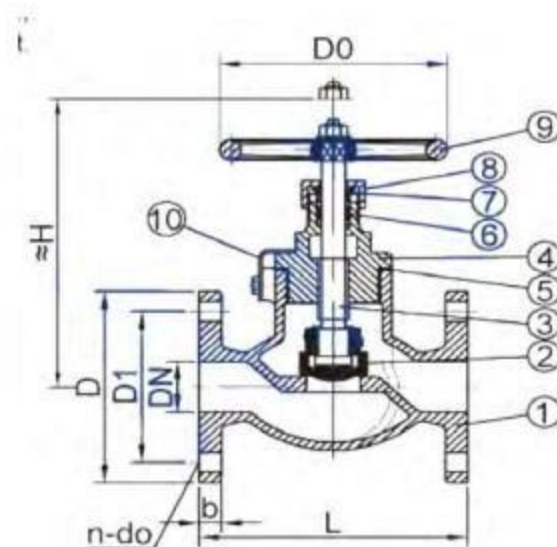
Application: Start/stop and throttling of: Sea water, water, oils, etc.

N.C. GAVRIELATOS S.A.



Specification	
Design Std	
Flange Std	JIS B2220
Test Std	JIS F7400
Nominal Pressure	16K
Application Temperature	≤ 205°C
Pressure Rating	3.36 MPa

No.	Part Name	Material
1	Body	Bronze
2	Disc	Bronze
3	Stem	Brass
4	Bonnet	Bronze
5	Gasket	Graphite/Aramid fiber
6	Packing	Graphite/PTFE
7	Gland	Brass
8	Nut	Brass
9	Hand wheel	Cast Iron
10	Lock Plate	Brass



PN	DN	L	≈H	D	D1	b	n	d0	D0
16K	15	110	130	95	70	12	4	15	80
	20	120	140	100	75	14	4	15	100
	25	130	160	125	90	14	4	19	125
	32	160	170	135	100	16	4	19	125
	40	180	190	140	105	16	4	19	140



Globe Valve – JIS F7304

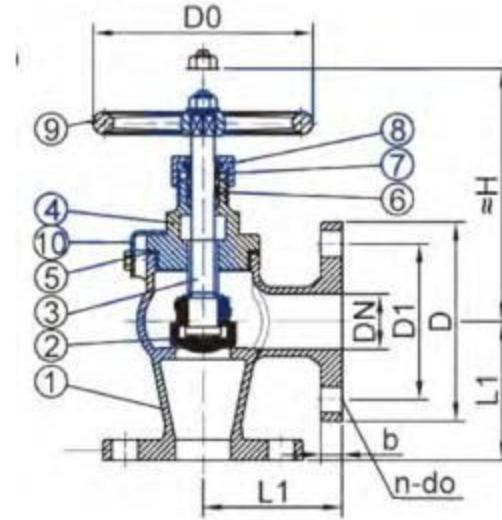
Application: Start/stop and throttling of: Sea water, water, oils, etc.

N.C. GAVRIELATOS S.A.



Specification	
Design Std	
Flange Std	JIS B2220
Test Std	JIS F7400
Nominal Pressure	16K
Application Temperature	≤ 205°C
Pressure Rating	3.36 MPa

No.	Part Name	Material
1	Body	Bronze
2	Disc	Bronze
3	Stem	Brass
4	Bonnet	Bronze
5	Gasket	Graphite/Aramid fiber
6	Packing	Graphite/PTFE
7	Gland	Brass
8	Nut	Brass
9	Hand wheel	Cast Iron
10	Lock Plate	Brass



PN	DN	L1	≈H	D	D1	b	n	d0	D0
16K	15	70	120	95	70	12	4	15	80
	20	75	130	100	75	14	4	15	100
	25	85	145	125	90	14	4	19	125
	32	95	150	135	100	16	4	19	125
	40	100	165	140	105	16	4	19	140