

Note:

- 1.Design and manufacture: EN 12334/API 594.
- 2.Flange dimensions: ASME B16.1/EN 1092.
- 4.Test and inspection: API 598.
- 5.Size up to 24".

Materials list:

| | | |
|---|-----------|---------------|
| 1 | Body | C.I. / S.S. |
| 2 | Spring | S.S.316 |
| 3 | Plate | S.S. / Bronze |
| 4 | Seat | EPDM/NBR |
| 5 | Hinge Pin | S.S.410/420 |
| 6 | Washer | PTFE |

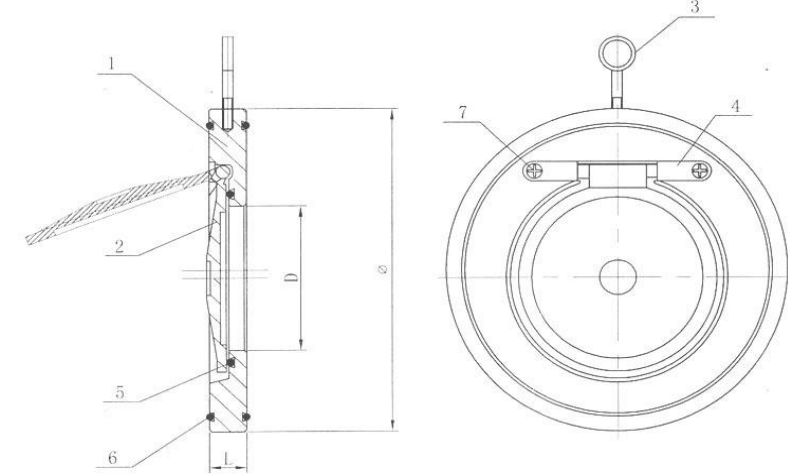
| SIZE | A | B | L | H1 | H2 |
|------|------|------|-----|----|-----|
| 2" | 106 | 65 | 43 | 7 | 19 |
| 2.5" | 126 | 80 | 46 | 6 | 20 |
| 3" | 141 | 94 | 64 | 8 | 28 |
| 4" | 161 | 117 | 64 | 9 | 27 |
| 5" | 191 | 145 | 70 | 9 | 30 |
| 6" | 217 | 170 | 76 | 10 | 31 |
| 8" | 272 | 224 | 89 | 10 | 33 |
| 10" | 327 | 265 | 114 | 20 | 50 |
| 12" | 377 | 310 | 114 | 13 | 43 |
| 14" | 437 | 360 | 127 | 13 | 45 |
| 16" | 487 | 410 | 140 | 15 | 52 |
| 18" | 537 | 450 | 152 | 17 | 58 |
| 20" | 592 | 505 | 152 | 18 | 58 |
| 24" | 700 | 624 | 178 | 21 | 73 |
| 28" | 800 | 720 | 229 | 28 | 98 |
| 32" | 905 | 825 | 241 | 30 | 100 |
| 36" | 1015 | 924 | 241 | 30 | 100 |
| 40" | 1123 | 1050 | 300 | 40 | 135 |
| 44" | 1276 | 1150 | 350 | 50 | 183 |



Single Disc Swing Check Valve



| NO. | PART | MATERIAL |
|-----|--------|-----------------|
| 1 | Body | SS304/SS316/WCB |
| 2 | Disc | SS304/SS316/WCB |
| 3 | Ring | Steel |
| 4 | Baffle | SS304/SS316/WCB |
| 5 | O-Ring | NBR/EPDM/VITON |
| 6 | O-Ring | NBR/EPDM/VITON |
| 7 | Bolt | SS304/SS316/WCB |



DESCRIPTION

- Working pressure: 1.0Mpa/1.6Mpa/2.5Mpa/4.0Mpa
- Working temperature:
NBR: 0°C ~ +80°C
EPDM: -10°C ~ +120°C
VITON: -20°C ~ +180°C
- Face to face according to DIN, ANSI
- Flange according to EN1092-2, ANSI 125/150 etc.
- Testing: DIN3230, API598
- Medium: Fresh Water, Sea water, food stuff, all kinds of oil, acid, alkaline liquid etc.

| DN(mm) | | 25 | 32 | 40 | 50 | 65 | 80 | 100 | 125 | 150 | 200 | 250 | 300 | 350 | 400 | 450 | 500 | 600 |
|-----------|------|------|----|----|-----|-----|-----|-----|-----|-----|-----|-----|-----|-----|-----|-----|-----|-----|
| Φ(m m) | PN10 | 71 | 82 | 92 | 107 | 127 | 142 | 162 | 192 | 218 | 273 | 328 | 378 | 438 | 489 | 532 | 585 | 690 |
| | PN16 | 71 | 82 | 92 | 107 | 127 | 142 | 162 | 192 | 218 | 273 | 329 | 384 | 444 | 491 | 550 | 610 | 724 |
| D(mm) | | 11.5 | 17 | 22 | 32 | 40 | 54 | 70 | 92 | 114 | 154 | 200 | 235 | 280 | 316 | 360 | 405 | 486 |
| L(mm) | | 14 | 14 | 14 | 14 | 14 | 14 | 18 | 18 | 20 | 22 | 26 | 28 | 38 | 44 | 50 | 56 | 62 |