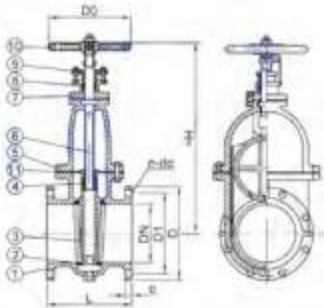




GATE VALVE JIS F7363

N.C. GAVRIELATOS S.A.

APPLICATION: Start/stop flow with minimized pressure drop for air/gases, sea water, water, oils etc.



| Specification | |
|-------------------------|-----------|
| Design Std | |
| Flange Std | JIS B2220 |
| Test Std | JIS F7400 |
| Nominal Pressure | 5K |
| Application Temperature | ≤ 205°C |
| Pressure Rating | 1.05 MPa |

| No. | Part Name | Material |
|-----|--------------|-----------------------|
| 1 | Body | FC 200 |
| 2 | Seat | Bronze |
| 3 | Disc | FC 200 |
| 4 | Square nut | Bronze |
| 5 | Bonnet | FC 200 |
| 6 | Stem | Brass |
| 7 | Stuffing box | FC 200 |
| 8 | Packing | Graphite/PTFE |
| 9 | Gland | Bronze |
| 10 | Hand wheel | Cast Iron |
| 11 | Gasket | Graphite/Aramid fiber |

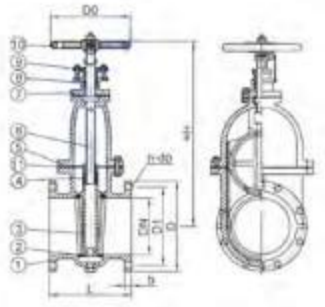
| PN | DN | ≈L | ≈H | D | D1 | b | n | d0 | D0 |
|-----|-----|------|------|-----|-----|----|----|-----|-----|
| 5K | 50 | 180 | 285 | 130 | 105 | 16 | 4 | 15 | 125 |
| | 65 | 190 | 330 | 155 | 130 | 18 | 4 | 15 | 140 |
| | 80 | 200 | 380 | 180 | 145 | 18 | 4 | 19 | 160 |
| | 100 | 230 | 430 | 200 | 165 | 20 | 8 | 19 | 180 |
| | 125 | 250 | 495 | 235 | 200 | 20 | 8 | 19 | 200 |
| | 150 | 270 | 560 | 265 | 230 | 22 | 8 | 19 | 224 |
| | 200 | 290 | 680 | 320 | 280 | 24 | 8 | 23 | 280 |
| | 250 | 330 | 800 | 385 | 345 | 26 | 12 | 23 | 355 |
| | 300 | 370 | 920 | 430 | 390 | 28 | 12 | 23 | 400 |
| | 350 | 410 | 1000 | 480 | 435 | 30 | 12 | 25 | 450 |
| | 400 | 470 | 1100 | 540 | 495 | 30 | 16 | 25 | 500 |
| | 450 | 500 | 1420 | 605 | 555 | 30 | 16 | 25 | 560 |
| | 500 | 550 | 1500 | 655 | 605 | 32 | 20 | 25 | 560 |
| 550 | 600 | 1650 | 720 | 665 | 32 | 20 | 27 | 630 | |
| 600 | 660 | 1680 | 770 | 715 | 32 | 20 | 27 | 710 | |



GATE VALVE JIS F7364

N.C. GAVRIELATOS S.A.

APPLICATION: Start/stop flow with minimized pressure drop for air/gases, sea water, water, oils etc.



| Specification | | |
|-------------------------|--------------|-----------------------|
| Design Std | | |
| Flange Std | JIS B2220 | |
| Test Std | JIS F7400 | |
| Nominal Pressure | 10K | |
| Application Temperature | ≤ 205°C | |
| Pressure Rating | 2.1 MPa | |
| No. | Part Name | Material |
| 1 | Body | FC 200 |
| 2 | Seat | Bronze |
| 3 | Disc | FC 200 |
| 4 | Square nut | Bronze |
| 5 | Bonnet | FC 200 |
| 6 | Stem | Brass |
| 7 | Stuffing box | FC 200 |
| 8 | Packing | Graphite/PTFE |
| 9 | Gland | Bronze |
| 10 | Hand wheel | Cast Iron |
| 11 | Gasket | Graphite/Aramid fiber |

| PN | DN | ≈L | ≈H | D | D1 | b | n | d0 | D0 |
|----|-----|-----|------|-----|-----|----|----|----|-----|
| 5K | 50 | 200 | 300 | 155 | 120 | 20 | 4 | 19 | 140 |
| | 65 | 220 | 350 | 175 | 140 | 22 | 4 | 19 | 160 |
| | 80 | 230 | 400 | 185 | 150 | 22 | 8 | 19 | 180 |
| | 100 | 250 | 450 | 210 | 175 | 24 | 8 | 19 | 200 |
| | 125 | 270 | 520 | 250 | 210 | 24 | 8 | 23 | 224 |
| | 150 | 290 | 580 | 280 | 240 | 26 | 8 | 23 | 250 |
| | 200 | 320 | 700 | 330 | 290 | 26 | 12 | 23 | 315 |
| | 250 | 380 | 840 | 400 | 355 | 30 | 12 | 25 | 400 |
| | 300 | 440 | 960 | 445 | 400 | 32 | 16 | 25 | 450 |
| | 350 | 500 | 1050 | 490 | 445 | 34 | 16 | 25 | 500 |
| | 400 | 590 | 1150 | 560 | 510 | 36 | 16 | 27 | 560 |