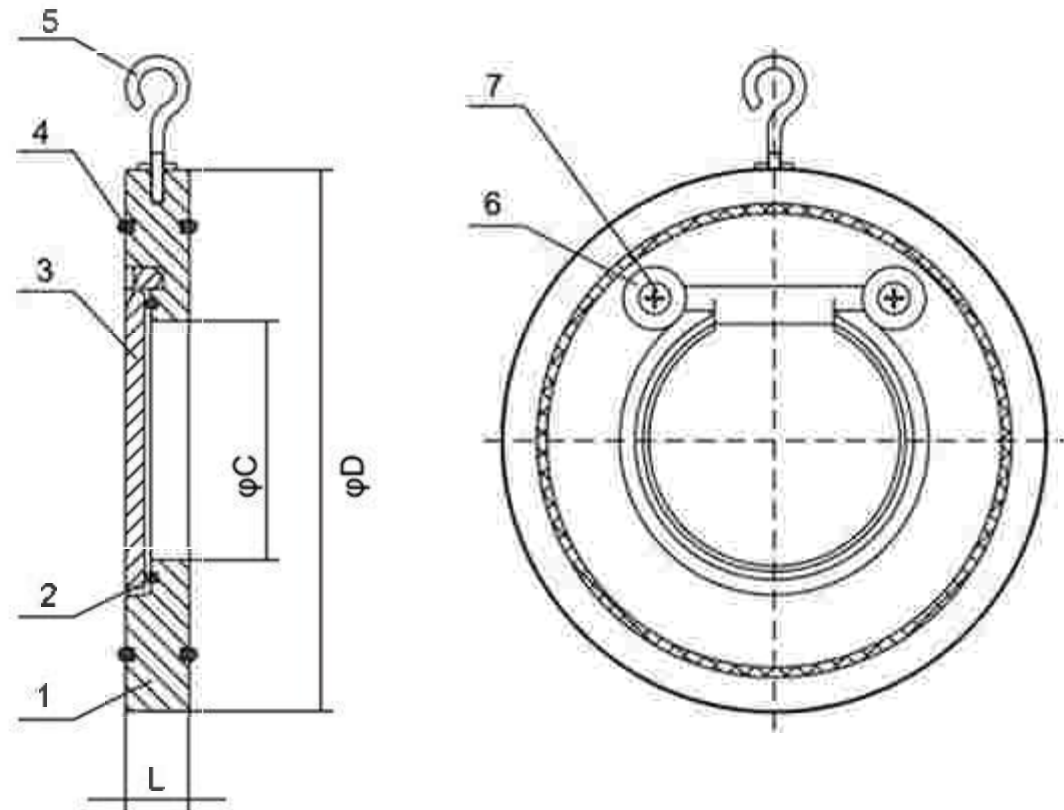




Non-return

Single plate check valve



Note:

- 1. Design and manufacture: API 594.
- 2. Flange dimensions: ASME B16.1/EN 1092.
- 4. Test and inspection: API 598.
- 5. Size up to 24".

Materials list:

1	Body	C.S./S.S. / Bronze
2	Seat	NBR/EPDM/Viton/PTFE
3	Disc	C.S./S.S. / Bronze
4	"O" Ring	NBR/EPDM/Viton/PTFE
5	Eye Bolt	C.S.
6	Washer	C.S./S.S.
7	Screw	C.S./S.S.

SIZE	C	D				L
		PN6	PN10	PN16	PN25	
1"	20	82	82	82	82	14
1.5"	22	88	95	95	95	14
2"	32	98	109	109	109	14
2.5"	40	118	129	129	129	14
3"	54	134	144	144	144	14
4"	70	154	164	165	170	18
5"	92	184	195	195	198	18
6"	112	209	220	220	228	20
8"	154	264	275	275	288	22
10"	200	319	330	332	343	26
12"	240	375	380	387	403	30
14"	270	425	440	447	460	38
16"	310	475	490	495	517	44
18"	360	530	540	557	567	44
20"	405	580	595	619	627	56
24"	485	681	698	734	737	62