



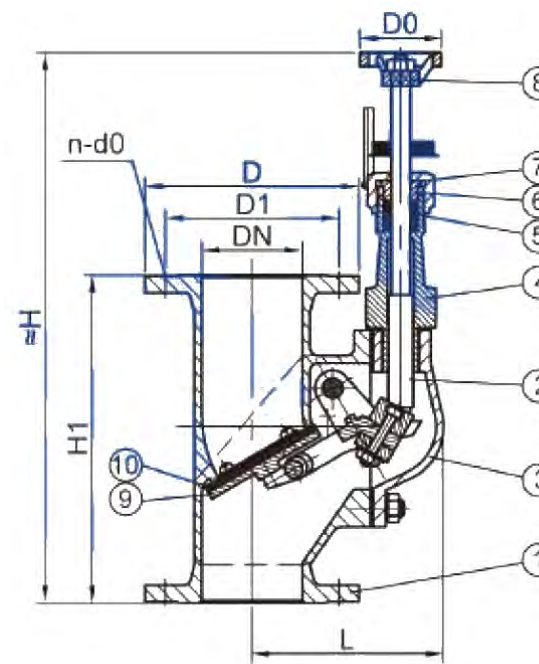
Storm Flap Valve

N.C. GAVRIELATOS S.A.

APPLICATION: Ship side valve for discharge from various sanitary system. Preventing sea water from entering the piping system. Manually closable at e.g. dry docking. Sanitary piping systems which have a ship's side exit.



Specification		
Face to Face		
Design Std		DIN
Flange Std		EN1092(DIN2501) PN6
Test Std		EN 12266
Application Temperature		≤ 100°C
Pressure Rating		PN4(DN50-150)
No.	Part Name	Material
1	Body	Bronze
2	Stem	Brass
3	Bonnet	Bronze
4	Sleeve	Bronze
5	Packing	PTFE
6	Gland	Brass
7	Nut	Brass
8	Hand wheel	Cast Iron
9	Disc	Bronze
10	Seal	NBR



DN	≈L	≈H	H1	D	D1	n	d0	D0
50	140	400	210	140	110	4	14	100
65	142	425	240	160	130	4	14	100
80	155	440	260	190	150	4	18	100
100	172	470	280	210	170	4	18	100
125	195	510	330	240	200	8	18	100
150	213	545	360	265	225	8	18	140

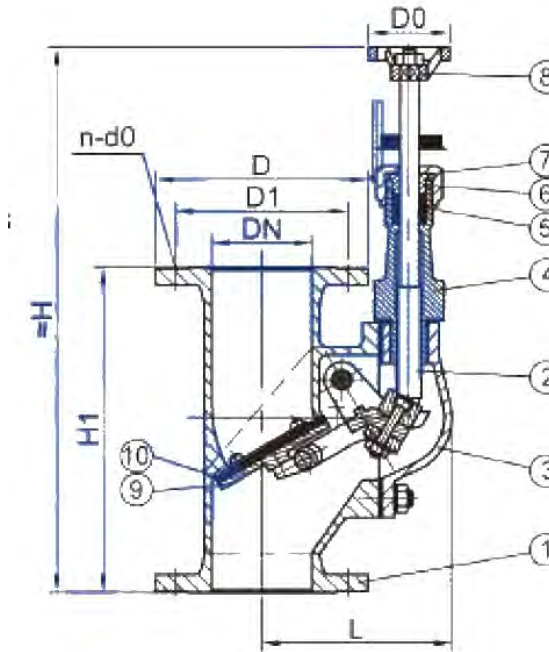


Storm Flap Valve

N.C. GAVRIELATOS S.A.

APPLICATION: Sanitary piping systems which have a ship's side exit. Ship side valve for discharge from various sanitary system. Preventing sea water from entering the piping system. Manually closable at e.g. dry docking

Specification		
Face to Face		
Design Std		DIN
Flange Std		EN1092(DIN2501) PN6
Test Std		EN 12266
Application Temperature		≤ 100°C
Pressure Rating		PN4(DN50-150)
No.	Part Name	Material
1	Body	Nodular Cast Iron
2	Stem	Brass
3	Bonnet	Nodular Cast Iron
4	Sleeve	Bronze
5	Packing	PTFE
6	Gland	Brass
7	Nut	Brass
8	Hand wheel	Cast Iron
9	Disc	Bronze
10	Seal	NBR



DN	≈L	≈H	H1	D	D1	n	d0	D0
50	140	400	210	140	110	4	14	100
65	142	425	240	160	130	4	14	100
80	155	440	260	190	150	4	18	100
100	172	470	280	210	170	4	18	100
125	195	510	330	240	200	8	18	100
150	213	545	360	265	225	8	18	140



Storm Flap Valve

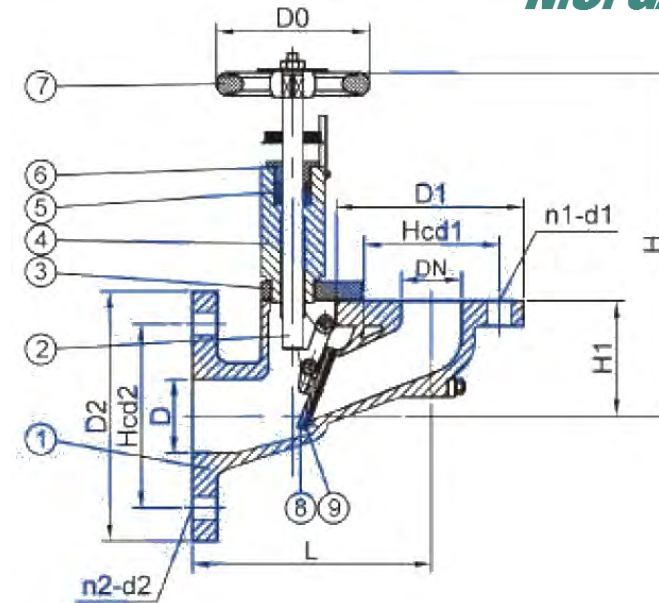
N.C. GAVRIELATOS S.A.

APPLICATION: Sanitary piping systems which have a ship's side exit. Ship side valve for discharge from various sanitary system. Preventing sea water from entering the piping system. Manually closable at e.g. dry docking



Specification	
Face to Face	DIN HNA Sr 6
Design Std	DIN HNA Sr 6 Form B
Flange Std	EN1092(DIN2501) PN10
Test Std	EN 12266
Application Temperature	≤ 100°C
Pressure Rating	PN4(DN50-150)

No.	Part Name	Material
1	Body	Bronze
2	Stem	Brass
3	Bonnet	Bronze
4	Sleeve	Brass
5	Packing	PTFE
6	Gland	Brass
7	Hand wheel	Cast Iron
8	Disc	Bronze
9	Seal	NBR



DN	L	≈H	H1	D1	Hcd1	n1	d1	D	D2	Hcd2	n2	d2	D0
50	180	335	90	165	125	4	18	70	200	160	8	18	140
65	200	345	100	185	145	4	18	85	220	180	8	18	140
80	215	360	108	200	160	8	18	100	250	210	8	18	140
100	250	370	130	220	180	8	18	130	285	240	8	22	140
125	290	460	152	250	210	8	18	158	340	295	8	22	180
150	330	490	176	285	240	8	22	190	395	350	12	22	180
200	425	580	180	340	295	8	22	240	445	400	12	22	180
250	630	730	300	395	350	12	22	300	505	460	16	22	200



Storm Flap Valve

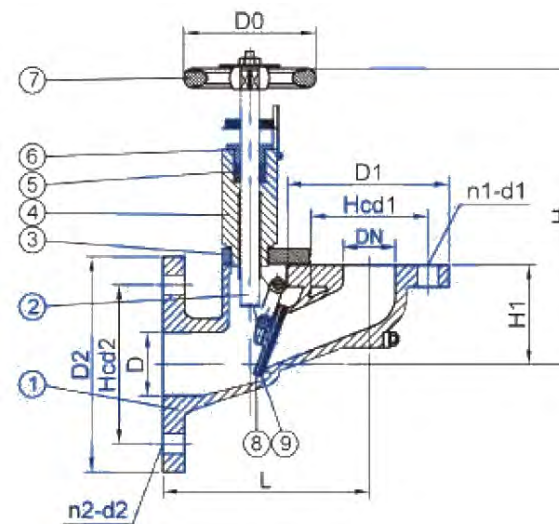
N.C. GAVRIELATOS S.A.

APPLICATION: Sanitary piping systems which have a ship's side exit. Ship side valve for discharge from various sanitary system. Preventing sea water from entering the piping system. Manually closable at e.g. dry docking



Specification	
Face to Face	DIN HNA Sr 6
Design Std	DIN HNA Sr 6 Form B
Flange Std	EN1092(DIN2501) PN10
Test Std	EN 12266
Application Temperature	≤ 100°C
Pressure Rating	PN4(DN50-250)

No.	Part Name	Material
1	Body	Nodular Cast Iron
2	Stem	Brass
3	Bonnet	Nodular Cast Iron
4	Sleeve	Brass
5	Packing	PTFE
6	Gland	Brass
7	Hand wheel	Cast Iron
8	Disc	Bronze
9	Seal	NBR



DN	L	≈H	H1	D1	Hcd1	n1	d1	D	D2	Hcd2	n2	d2	D0
50	180	335	90	165	125	4	18	70	200	160	8	18	140
65	200	345	100	185	145	4	18	85	220	180	8	18	140
80	215	360	108	200	160	8	18	100	250	210	8	18	140
100	250	370	130	220	180	8	18	130	285	240	8	22	140
125	290	460	152	250	210	8	18	158	340	295	8	22	180
150	330	490	176	285	240	8	22	190	395	350	12	22	180
200	425	580	180	340	295	8	22	240	445	400	12	22	180
250	630	730	300	395	350	12	22	300	505	460	16	22	200