

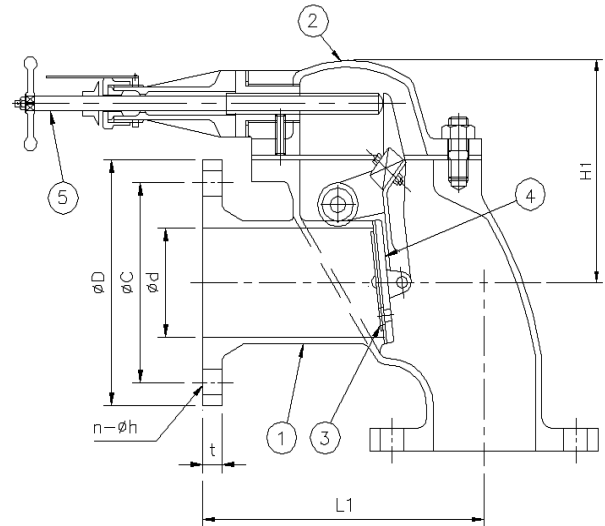
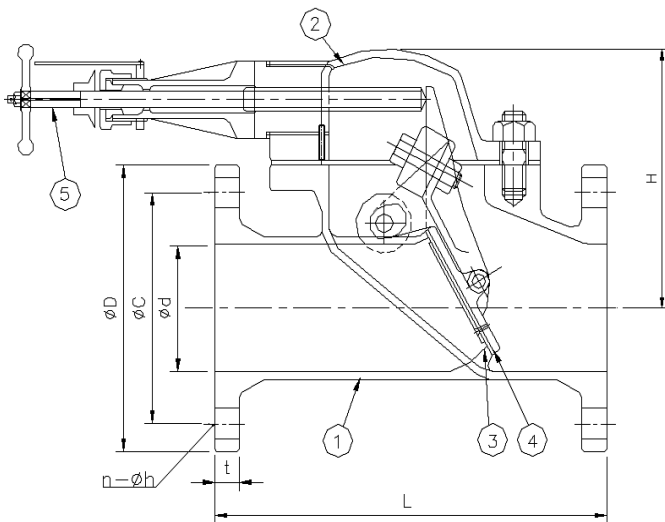


SERIES F 3060 - JIS 5K , 10K

Cast Steel Storm Valve Vertical & Angle Type

Manufactured in accordance to JIS F 7400

Flanges as per JIS B 2220 - 5K, 10K



SERIES F 3060 Vertical Storm Valve

SERIES F 3060 Angle Storm Valve

Part No.	Material
1 - Body	Cast Steel
2 - Bonnet	Cast Steel
3 - Seat	NBR
4 - Disc	Stainless Steel, Bronze
5 - Stem	Stainless Steel, Brass

Test Pressure MPa[Kgf/cm ²]	
Body	0.5 [5.0]
Seat	-

SIZE	d	FLANGE 5K				FLANGE 10K				L	H	L1	H1
		C	D	n-h	t	C	D	n-h	t				
050	50	105	130	4-15	14	120	155	4-19	16	210	131	170	130
065	65	130	155	4-15	14	140	175	4-19	18	240	141	200	140
080	80	145	180	4-19	14	150	185	8-19	18	260	155	220	154
100	100	165	200	8-19	16	175	210	8-19	18	280	171	250	170
125	125	200	235	8-19	16	210	250	8-23	20	330	195	270	198
150	150	230	265	8-19	18	240	280	8-23	22	360	212	310	211
200	200	280	320	8-23	20	290	330	12-23	22	500	265	400	265